

## USB CHARGER (REF. 21384 - 45439 S | 45384 S | 45383 S)

## DESCRIPTION

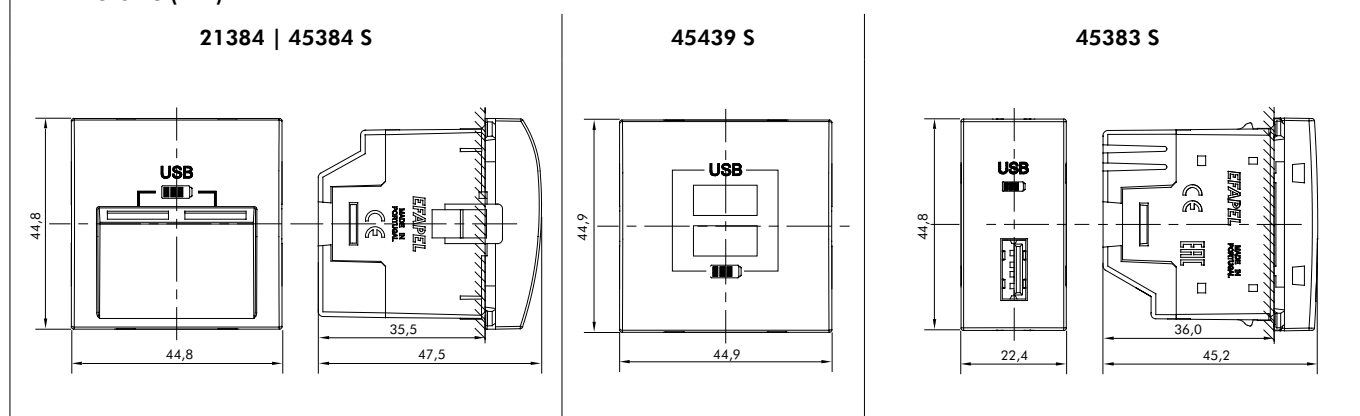


- 21384 | 45384 S - USB Charger 2 saídas 20° tipo A - 2400mA.
- 45439 S - USB Charger 2 tipo A - 2100mA.
- 45383 S - USB Charger 2 tipo A - 1500mA.
- Enables the feeding/charging of devices through the USB outlet, such as mobile phones/ Smartphones, tablets, Powerbanks, MP3, MP4 etc.
- Semi-assembled devices - **QUADRO 45**:  
- Finishings - **QUADRO 45** | **QUADRO 45** - *Siza Vieira*.
- MEC 21 Mechanisms:  
- Compatible with finishes - **LOGUS<sup>90</sup>** | **APOLO 5000** | **sirius70**.
- Available in colors **BR** - White, **MF** - Ivory, **AT** - Anthracite, **GE** - Ice, **PE** - Pearl, **AL** - Aluminium, **IS** - Gray, **BM** - White Matt; **PM** - Black Matt, **DU** - Golden, **CH** - Champagne, **PR** - Silver, **GR** - Graphite, **PL** - Platinum.

## CHARACTERISTICS

	21384   45384 S	45439 S	45383 S
Mechanisms in technical thermoplastic - resistant material, non-conductive.			
Input voltage	100-240V~ - 50/60Hz	100-240V~ - 50/60Hz	100-240V~ - 50/60Hz
Output voltage	5V---	5V---	5V---
Input maximum current	2,4A	2,1A	1,5A
Efficiency	80%	78%	80%
Standby consumption	<0,1W	< 0,2W	<0,1W
Output	2xUSB type A	2xUSB type A	1xUSB type A

## DIMENSIONS (mm)



## WIRING DIAGRAMS

